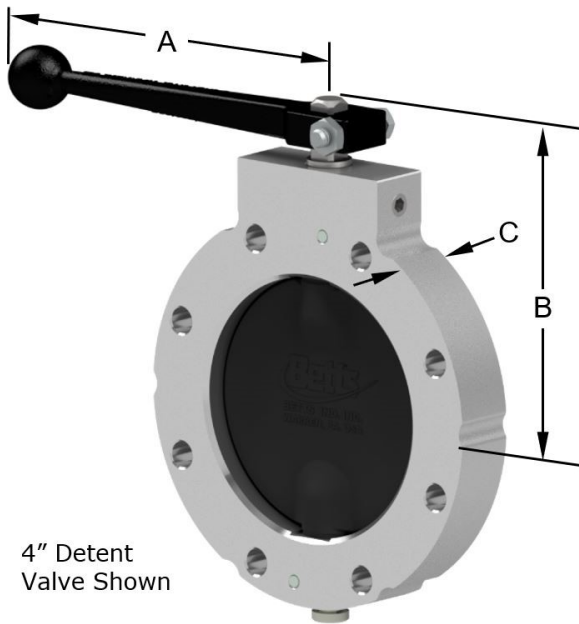


# Betts Standard Wet-R-Dri Valve Information and Dimensions



4" Detent Valve Shown

See Section 20 Page 5B for repair kits.  
See Section 20 Page 1B for complete parts list.

Size	Assembly Number	Body Material	Max. Working Pressure	Weight
2"	WD201AL*	ALUMINUM	75 psi [5.17 bar]	2.4 lbs. [1.08 kg]
	WD201GI*	CAST IRON		4.6 lbs. [2.08 kg]
3"	WD301AL*	ALUMINUM	75 psi [5.17 bar]	3.6 lbs [1.63 kg]
	WD301GI*	CAST IRON		6.9 lbs [3.13 kg]
4"	WD401AL*	ALUMINUM	75 psi [5.17 bar]	4.5 lbs [2.04 kg]
	WD401GI*	CAST IRON		8.3 lbs [3.76 kg]
5"	WD501AL*	ALUMINUM	50 psi [3.44 bar]	7.9 lbs [3.58 kg]
6"	WD601AL*	ALUMINUM	50 psi [3.44 bar]	11.8 lbs [5.35 kg]
8"	WD801AL*	ALUMINUM	50 psi [3.44 bar]	17.3 lbs [7.84 kg]

### Commonly used Suffixes (add to end of Assembly Number)

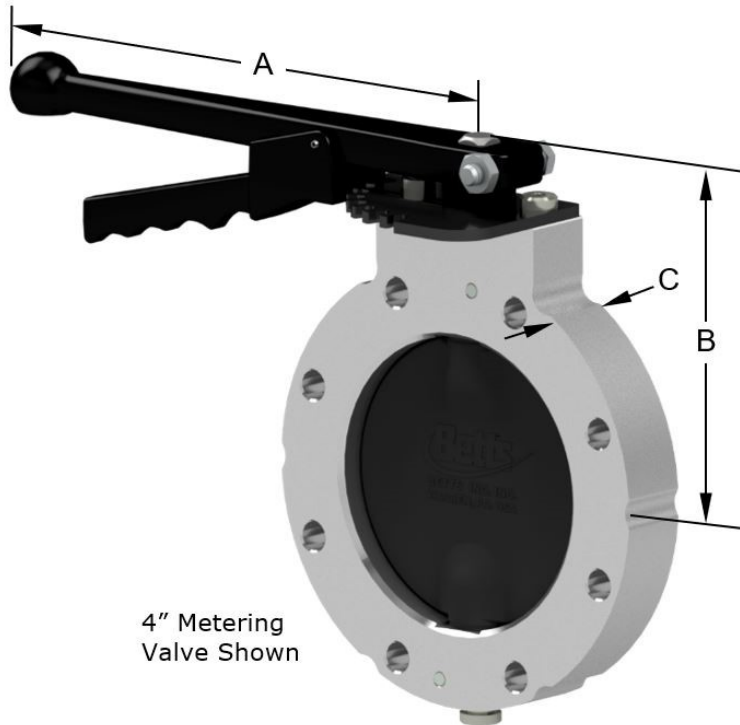
- 001 = E-Coated Valve Body
- 002 = Grease Fittings in shafts
- 004 = Valve less handle
- 019 = SS Shafts w/ SS Liner
- 032 = Left Hand Operation
- 046 = E-Coated Valve Left Hand Operation
- 089 = 225 psi tested w/ Fluorosilicone O-rings

\* Replace asterisk in part number to designate disc coating.

Material Code for Disc	Temp. Range
B = Black Nitrile (Buna-N)	-40°F to +240°F [-40°C to +116°C]
WB = White FDA Nitrile (Buna-N)	
OP = White FDA Nitrile w/ SS Insert	
VB = FKM (Viton™ B) type B	+9°F to +400°F [-13°C to +204°C]
VF = FKM GFLT-S	-11°F to +400°F [-24°C to +204°C]
V = FKM (Viton™ A) type A	0°F to +400°F [-17°C to +204°C]
U = Black Urethane	-40°F to +200°F [-40°C to +93°C]
E = Black EPDM	-50°F to +250°F [-45°C to +121°C]
WE = White EPDM	
Not all materials are available for every valve size. Actual temperature values may vary due to service conditions.	

DIMENSIONS							
Size	A	B	C	O.D.	I.D.	B.C.	Holes
2"	6 3/4" [171.5 mm]	4 1/4" [107.9 mm]	1 1/8" [28.6 mm]	3 3/4" [95.3 mm]	2 1/4" [57.2 mm]	3 3/4" [95.3 mm]	6 - 7/16" [6 - 11 mm]
3"	6 3/4" [171.5 mm]	4 5/8" [117.5 mm]	1 1/8" [28.6 mm]	5 5/8" [142.9 mm]	3 3/8" [85.7 mm]	4 7/8" [123.8 mm]	8 - 7/16" [8 - 11 mm]
4"	6 3/4" [171.5 mm]	5 1/8" [130.2 mm]	1 1/8" [28.6 mm]	6 5/8" [168.3 mm]	4 3/8" [111.1 mm]	5 7/8" [149.2 mm]	8 - 7/16" [8 - 11 mm]
5"	6 3/4" [171.5 mm]	6 3/8" [161.9 mm]	2 1/8" [54.0 mm]	7 5/8" [193.7 mm]	5 7/16" [138.1 mm]	7" [177.8 mm]	12 - 7/16" [12 - 11 mm]
6"	12" [304.8 mm]	7" [177.8 mm]	2 1/8" [54.0 mm]	8 5/8" [219.1 mm]	6 1/8" [155.6 mm]	8 1/8" [206.4 mm]	12 - 7/16" [12 - 11 mm]
8"	12" [304.8 mm]	8" [203.2 mm]	2 1/2" [63.5 mm]	10 7/8" [276.2 mm]	8" [203.2 mm]	10 1/8" [257.2 mm]	16 - 7/16" [16 - 11 mm]

# Betts Manually Operated TTMA Metering/Locking Wet-R-Dri Butterfly Valve



4" Metering Valve Shown

See Section 20 Page 5B for repair kits.  
See Section 20 Page 2B for complete parts list.

Size	Assembly Number	Body Material	Max. Working Pressure	Weight
2"	WD206AL*	ALUMINUM	75 psi	2.7 lbs [1.22 kg]
	WD206GI*	CAST IRON	75 psi [5.17 bar]	4.8 lbs [2.17 kg]
3"	WD306AL*	ALUMINUM	75 psi	3.5 lbs [1.58 kg]
	WD306GI*	CAST IRON	75 psi [5.17 bar]	6.8 lbs [3.08 kg]
4"	WD406AL*	ALUMINUM	75 psi	4.7 lbs [2.13 kg]
	WD406GI*	CAST IRON	75 psi [5.17 bar]	8.3 lbs [3.76 kg]
5"	WD506AL*	ALUMINUM	50 psi [3.44 bar]	7.0 lbs [3.18 kg]
6"	WD606AL*	ALUMINUM	50 psi [3.44 bar]	12.1 lbs [5.49 kg]
8"	WD806AL*	ALUMINUM	50 psi [3.44 bar]	17.6 lbs [7.98 kg]

**Commonly used suffixes  
(add to end of assembly number)**

- 001 = E-Coated Valve Body
- 002 = Grease Fittings in shafts
- 004 = Valve less handle
- 019 = SS Shafts w/ SS Liner
- 032 = Left Hand Operation
- 046 = E-Coated Valve Left Hand Operation
- 089 = 225 psi tested w/ Fluorosilicone O-rings

\* Replace asterisk in part number to designate disc coating.

Material Code for Disc	Temp. Range
<b>B</b> = Black Nitrile (Buna-N)	-40°F to +240°F [-40°C to +116°C]
<b>WB</b> = White FDA Nitrile (Buna-N)	
<b>OP</b> = White FDA Nitrile w/ SS Insert	
<b>VB</b> = FKM (Viton™ B) type B	+9°F to +400°F [-13°C to +204°C]
<b>VF</b> = FKM GFLT-S	-11°F to +400°F [-24°C to +204°C]
<b>V</b> = FKM (Viton™ A) type A	0°F to +400°F [-17°C to +204°C]
<b>U</b> = Black Urethane	-40°F to +200°F [-40°C to +93°C]
<b>E</b> = Black EPDM	-50°F to +250°F [-45°C to +121°C]
<b>WE</b> = White EPDM	
Not all materials are available for every valve size. Actual temperature values may vary due to service conditions.	

DIMENSIONS							
Size	A	B	C	O.D.	I.D.	B.C.	Holes
2"	8 3/4" [222.3 mm]	4 1/4" [107.9 mm]	1 1/8" [28.6 mm]	3 3/4" [95.3 mm]	2 1/4" [57.2 mm]	3 3/4" [95.3 mm]	6 - 7/16" [6 - 11 mm]
3"	8 3/4" [222.3 mm]	4 5/8" [117.5 mm]	1 1/8" [28.6 mm]	5 5/8" [142.9 mm]	3 3/8" [85.7 mm]	4 7/8" [123.8 mm]	8 - 7/16" [8 - 11 mm]
4"	8 3/4" [222.3 mm]	5 1/8" [130.2 mm]	1 1/8" [28.6 mm]	6 5/8" [168.3 mm]	4 3/8" [111.1 mm]	5 7/8" [149.2 mm]	8 - 7/16" [8 - 11 mm]
5"	8 3/4" [222.3 mm]	6 3/8" [161.9 mm]	2 1/8" [54.0 mm]	7 5/8" [193.7 mm]	5 7/16" [138.1 mm]	7" [177.8 mm]	12 - 7/16" [12 - 11 mm]
6"	12" [304.8 mm]	7" [177.8 mm]	2 1/8" [54.0 mm]	8 5/8" [219.1 mm]	6 1/8" [155.6 mm]	8 1/8" [206.4 mm]	12 - 7/16" [12 - 11 mm]
8"	12" [304.8 mm]	8" [203.2 mm]	2 1/2" [63.5 mm]	10 7/8" [276.2 mm]	8" [203.2 mm]	10 1/8" [257.2 mm]	16 - 7/16" [16 - 11 mm]

# Betts Pneumatic & Hydraulic Operated Wet-R-Dri Butterfly Valve



Actuated valve dimensions are on the following page.

Assembly Numbers for Wet-R-Dri with Actuator								
Size	Assembly # Air/Air (Model 17)	Weight	Assembly # Air/Spring (Model 19)	Weight	Assembly # Hydraulic/Spring (Model 18)	Weight	Body Material	Max. Working Pressure
2"	WD217AL*	6.4 lbs. [2.90 kg]	WD219AL*	7.0 lbs. [3.18 kg]	WD218AL*	8.1 lbs. [3.68 kg]	ALUMINUM	75 psi [5.17 bar]
	WD217GI*	8.4 lbs. [3.82 kg]	WD219GI*	9.1 lbs. [4.11 kg]	WD218GI*	10.2 lbs. [4.62 kg]	CAST IRON	
3"	WD317AL*	7.5 lbs [3.40 kg]	WD319AL*	8.2 lbs [3.72 kg]	WD318AL*	9.3 lbs [4.23 kg]	ALUMINUM	75 psi [5.17 bar]
	WD317GI*	10.7 lbs [4.87 kg]	WD319GI*	11.4 lbs [5.16 kg]	WD318GI*	12.5 lbs [5.67 kg]	CAST IRON	
4"	WD417AL*	8.4 lbs [3.81 kg]	WD419AL*	9.0 lbs [4.10 kg]	WD418AL*	10.2 lbs [4.61 kg]	ALUMINUM	75 psi [5.17 bar]
	WD417GI*	11.5 lbs [5.19 kg]	WD419GI*	12.1 lbs [5.49 kg]	WD418GI*	13.2 lbs [5.99 kg]	CAST IRON	
5"	WD517AL*	11.65 lbs [5.28 kg]	WD519AL*	12.3 lbs [5.57 kg]	WD518AL*	13.4 lbs [6.08 kg]	ALUMINUM	50 psi [3.44 bar]
6"	WD617AL*	14.9 lbs [6.75 kg]	WD619AL*	15.5 lbs [7.04 kg]	WD618AL*	16.7 lbs [7.55 kg]	ALUMINUM	50 psi [3.44 bar]
8"	WD817AL*	21.2 lbs [9.60 kg]	WD819AL*	21.8 lbs [9.88 kg]	WD818AL*	22.9 lbs [10.40 kg]	ALUMINUM	50 psi [3.44 bar]

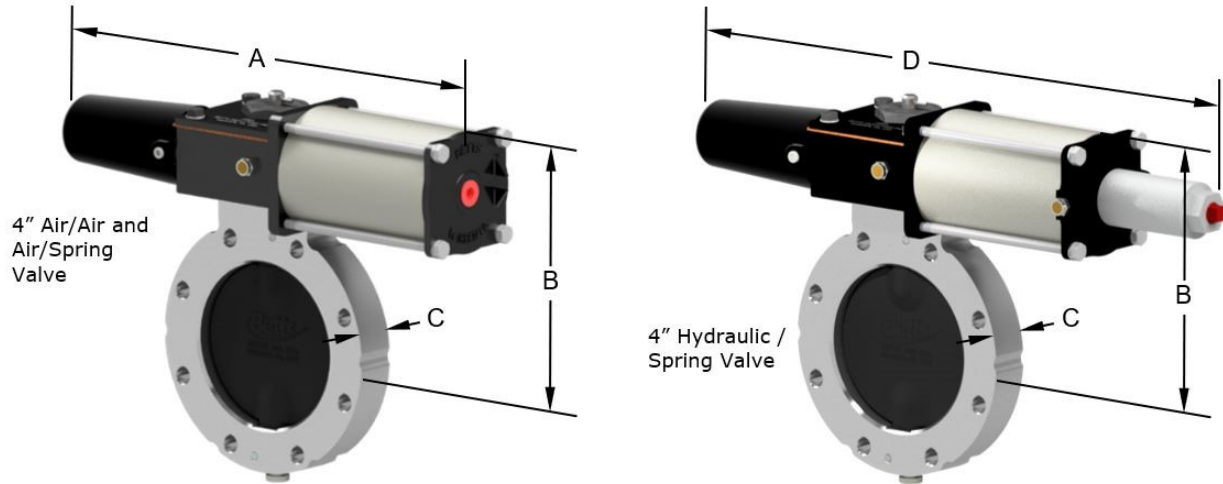
\* Replace the asterisk shown in the assembly numbers to designate the desired disc coating.

**Commonly used suffixes  
(add to end of assembly number)**

- 001 = E-Coated Valve Body
- 017 = Normally Open
- 019 = SS Shafts w/ SS Liner
- 058 = Less Actuator
- 089 = 225 psi tested w/Fluorosilicone O-rings

Material Code for Disc & O-Ring	Temp. Range
<b>BN</b> = Black Nitrile (Buna-N)	-40°F to +240°F [-40°C to +116°C]
<b>WB</b> = White FDA Nitrile (Buna-N)	
<b>OP</b> = White FDA Nitrile w/ SS Insert	
<b>VB</b> = FKM type B (Viton™ B)	+9°F to +400°F [-13°C to +204°C]
<b>VF</b> = FKM GFLT-S	-11°F to +400°F [-24°C to +204°C]
<b>VT</b> = FKM type A (Viton™ A)	0°F to +400°F [-17°C to +204°C]
<b>PY</b> = Black Urethane	-40°F to +200°F [-40°C to +93°C]
<b>EP</b> = Black EPDM	-50°F to +250F [-45°C to +121°C]
<b>WE</b> = White EPDM	
Not all materials are available for every valve size. Actual temperature values may vary due to service conditions.	

## Betts Wet-R-Dri Actuated Valve Dimensions



DIMENSIONS								
Size	A	B	C	D	O.D.	I.D.	B.C.	Holes
2"	13 <sup>7</sup> / <sub>16</sub> " [341.3 mm]	5 <sup>13</sup> / <sub>16</sub> " [147.6 mm]	1 <sup>1</sup> / <sub>8</sub> " [28.6 mm]	17" [431.8 mm]	3 <sup>3</sup> / <sub>4</sub> " [95.3 mm]	2 <sup>1</sup> / <sub>4</sub> " [57.2 mm]	3 <sup>3</sup> / <sub>4</sub> " [95.3 mm]	6 - <sup>7</sup> / <sub>16</sub> " [6 - 11 mm]
3"	13 <sup>7</sup> / <sub>16</sub> " [341.3 mm]	6 <sup>5</sup> / <sub>32</sub> " [156.4 mm]	1 <sup>1</sup> / <sub>8</sub> " [28.6 mm]	17" [431.8 mm]	5 <sup>5</sup> / <sub>8</sub> " [142.9 mm]	3 <sup>3</sup> / <sub>8</sub> " [85.7 mm]	4 <sup>7</sup> / <sub>8</sub> " [123.8 mm]	8 - <sup>7</sup> / <sub>16</sub> " [8 - 11 mm]
4"	13 <sup>7</sup> / <sub>16</sub> " [341.3 mm]	6 <sup>11</sup> / <sub>16</sub> " [169.9 mm]	1 <sup>1</sup> / <sub>8</sub> " [28.6 mm]	17" [431.8 mm]	6 <sup>5</sup> / <sub>8</sub> " [168.3 mm]	4 <sup>3</sup> / <sub>8</sub> " [111.1 mm]	5 <sup>7</sup> / <sub>8</sub> " [149.2 mm]	8 - <sup>7</sup> / <sub>16</sub> " [8 - 11 mm]
5"	13 <sup>7</sup> / <sub>16</sub> " [341.3 mm]	7 <sup>15</sup> / <sub>16</sub> " [201.6 mm]	2 <sup>1</sup> / <sub>8</sub> " [54.0 mm]	17" [431.8 mm]	7 <sup>5</sup> / <sub>8</sub> " [193.7 mm]	5 <sup>7</sup> / <sub>16</sub> " [138.11 mm]	7" [177.8 mm]	12 - <sup>7</sup> / <sub>16</sub> " [12 - 11 mm]
6"	13 <sup>7</sup> / <sub>16</sub> " [341.3 mm]	8 <sup>7</sup> / <sub>16</sub> " [214.3 mm]	2 <sup>1</sup> / <sub>8</sub> " [54.0 mm]	17" [431.8 mm]	8 <sup>5</sup> / <sub>8</sub> " [219.1 mm]	6 <sup>1</sup> / <sub>8</sub> " [155.6 mm]	8 <sup>1</sup> / <sub>8</sub> " [206.4 mm]	12 - <sup>7</sup> / <sub>16</sub> " [12 - 11 mm]
8"	13 <sup>7</sup> / <sub>16</sub> " [341.3 mm]	9 <sup>7</sup> / <sub>16</sub> " [239.7 mm]	2 <sup>1</sup> / <sub>2</sub> " [63.5 mm]	17" [431.8 mm]	10 <sup>7</sup> / <sub>8</sub> " [276.2 mm]	8" [203.2 mm]	10 <sup>1</sup> / <sub>8</sub> " [257.2 mm]	16 - <sup>7</sup> / <sub>16</sub> " [16 - 11 mm]